



Fire-Rated Occult Series Fire Extinguisher, Fire Hose, and Fire Department Valve Cabinets with *Flame-Shield*® Option
Supplemental Submittal and Detail Sheet

PROJECT: _____
 MODEL NUMBER: FS _____
 ARCHITECT: _____
 DATE: _____

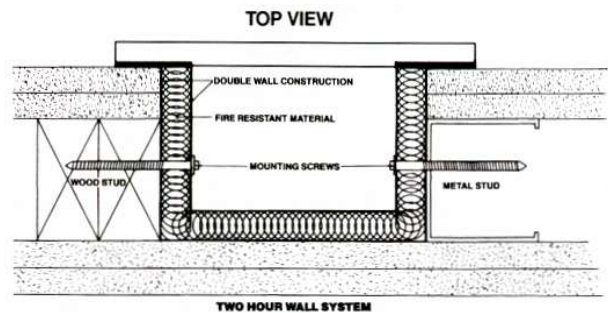
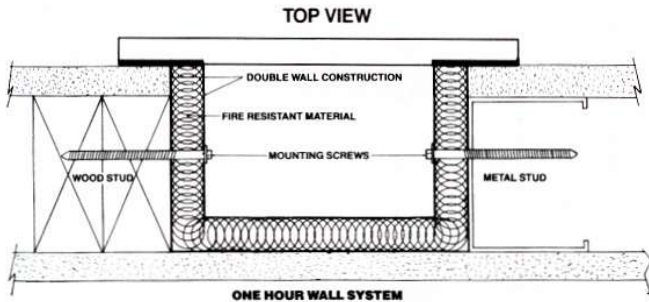
LOCATION: _____
 QUANTITY: _____
 CONTRACTOR: _____
 DISTRIBUTOR: _____

SPECIFICATIONS:

The *Flame-Shield* fire rated option is available for Occult Series fire extinguisher, fire department valve, and fire hose cabinets. It is designed specifically to maintain the integrity of one and two hour fire walls. Warnock-Hersey has certified and listed Larsen's *Flame-Shield* fire-rated option for one and two hour combustible and non-combustible wall systems to meet the requirements of UBC Standard 43-B (ASTM E-814).

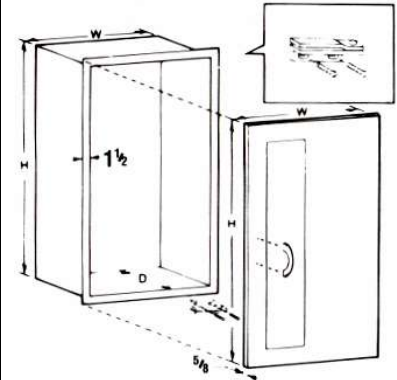
For additional information regarding the Occult Series door and box specification, please refer to the non fire-rated Occult Series description on the reverse side or on the attached sheet.

All boxes for Occult Series with the *Flame-Shield* fire-rated option have a double wall of cold-rolled steel with baked acrylic enamel finish. The space between the double walls is lined entirely with 5/8" thick fire barrier material. All Occult Series cabinets with the *Flame-Shield* fire-rated option are provided with factory supplied anchoring devices.

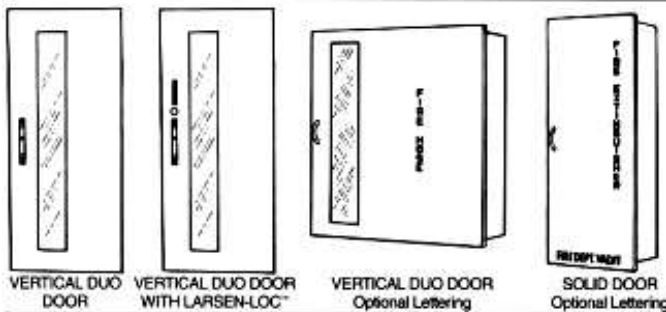


DIMENSIONS*

Model Number	Inside Box Dimensions HxWxD	Outside Flange Dimensions HxW	Outside Door Dimensions HxW	Rough Opening HxWxD	Interior Capacity
FS O-2409	24x9½x6	27x12½	27¼x12¾	26x11½x6-7/8	MP2½, MP5, MP5-A, MP6, MP10, DC2 ½, DC5, DC6, DC10, CD5, HT2½, HT5
FS O-3216	32x16x8	35x19	35¼x19¼	34x18x8-7/8	PW2-1/2, MP20, DC20, CD10, CD15, WC6-L, HT11, HT15½, WM2½
FS O-1818	18x18x8½	21x21	21¼x21¼	20x20x9½	One Fire Dept. Valve w/cap and chain
FS O-4016	40x16x8½	43x19	43¼x19¼	42x18x9½	One Fire Dept. Valve w/cap and chain and a Fire Ext.
FS O-3232	32x32x8½	35x35	35¼x35¼	34x34x9½	One hose rack unit With 100' of rack hose and a Fire Ext.



*NOTE: These are rough openings for *Fire-Rated Occult Series* cabinets. Rough openings for *non-rated* cabinets are smaller-please refer to the appropriate *non-rated Occult Series Submittal and Detail Sheet*. Rough openings must be cut to the exact specifications or the fire rating will be void.



DOOR MATERIAL:

- Steel
- Aluminum (AL)
- Stainless (SS)
- Brass (B)
- Bronze (BZ)
- Other _____

DOOR STYLE:

- Solid
- Vertical Duo
- Optional Larsen-Loc® (available with either Solid or V-Duo Door)

OPTIONAL DIECUT LETTERING COLOR:

- Red
- Black
- White

OPTIONAL DIECUT LETTERING STYLE:

- Vertical
- Horizontal
- Type A

DOOR GLAZING & OPTIONS:

- Clear Acrylic (Standard)
- Clear Tempered Safety Glass
- Clear Wire Glass
- Laminated Safety Glass
- Bronze Acrylic
- Gray Acrylic
- (Other) _____

LARSEN'S MANUFACTURING COMPANY www.larsensmfg.com
 7421 Commerce Lane N.E. * Mpls, MN 55432
 Phone: (763) 571-1181 * FAX: (763) 571-6900
FLORIDA DIVISION:
 3130 N.W. 17th Street Ft. Lauderdale, FL 33311
 Phone: (954) 486-3325 * FAX: (954) 486-3352
 ©2004 Larsen's

OPTIONAL "FIRE" HANDLE

Optional die cast "Fire" Handle is available at additional cost. Natural finish is standard. Optional finishes are red, black, and white.



- Standard Red Black White

